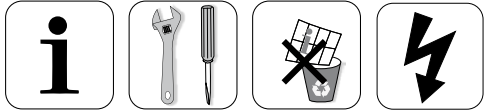


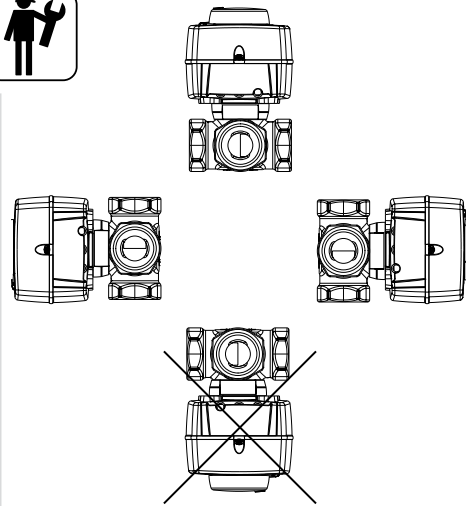
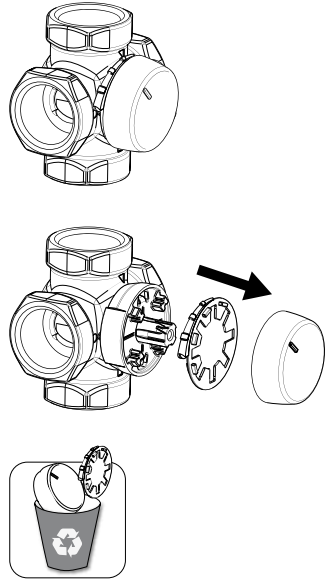
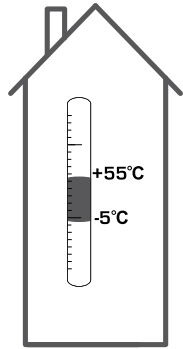
# ESBE SERIES ARA600 2-Point



Series ARA6x5  
Series ARA6x6  
Series ARA6x7  
Series ARA6x8

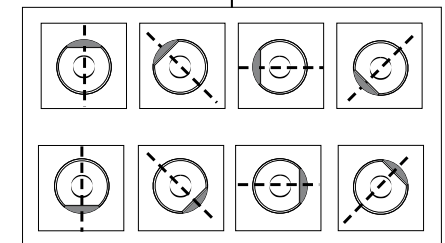
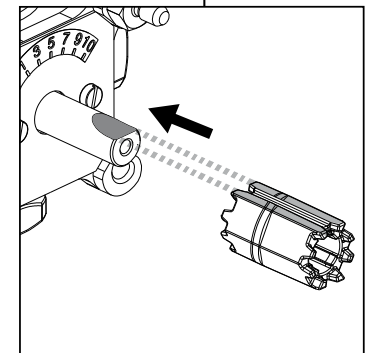
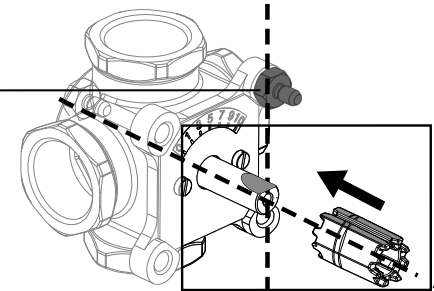
CE

LVD 2006/95/EC  
EMC 2004/108/EC  
RoHS 2011/65/EC



## MG, G, F, H, HG, BIV, T, TM

	DN15-25	
	DN20-40	
	DN50	
	DN20-25	
	DN32-50	
	H: DN25	
	H: DN32-50	
	HG: DN25	
	DN20-22	
	DN25	
	T: DN20-32	
	TM: DN20	



VRG, VRB, VRH

3MG, 4MG



3G, 4G

3F, 4F ≤ DN50

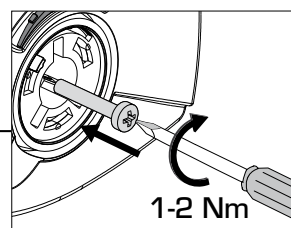
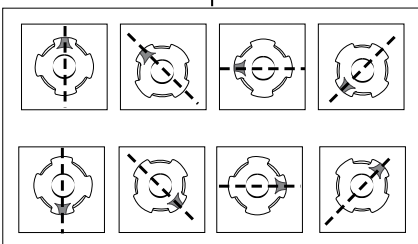
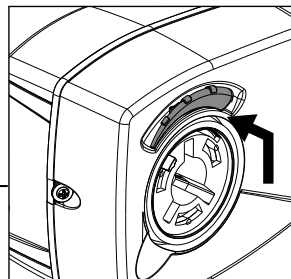
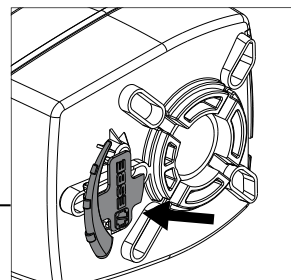
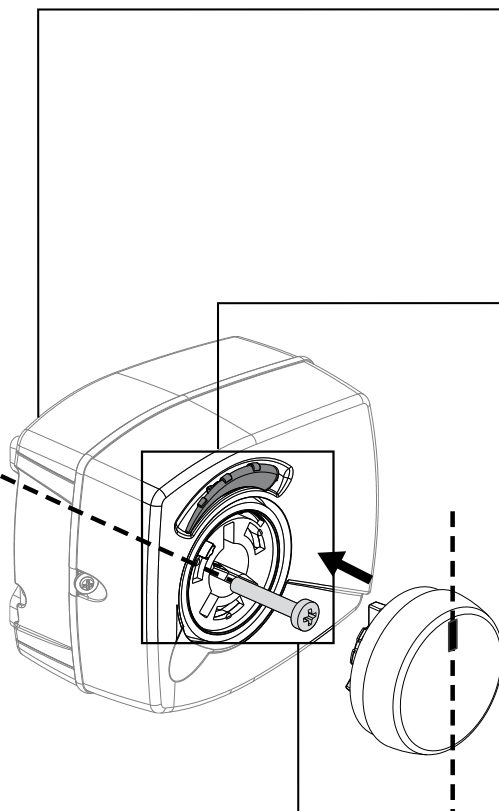
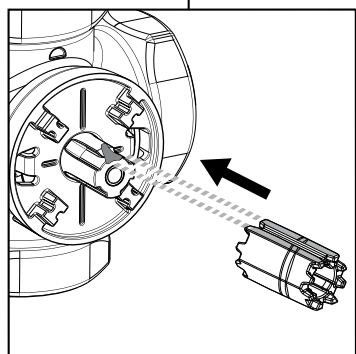
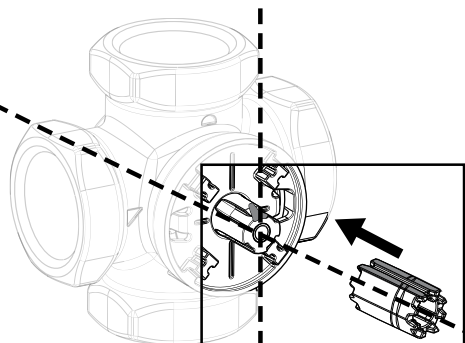
3HG, 4HG, 3H, 4H



BIV

T, TM

**VRG130, VRG140,  
VRG230, VRG330,  
VRH130**



**ESBE**  
www.esbe.eu

Mtrl.n: 9814 02 74 • Ritr.n: 8080 utg. E • Rev.1501

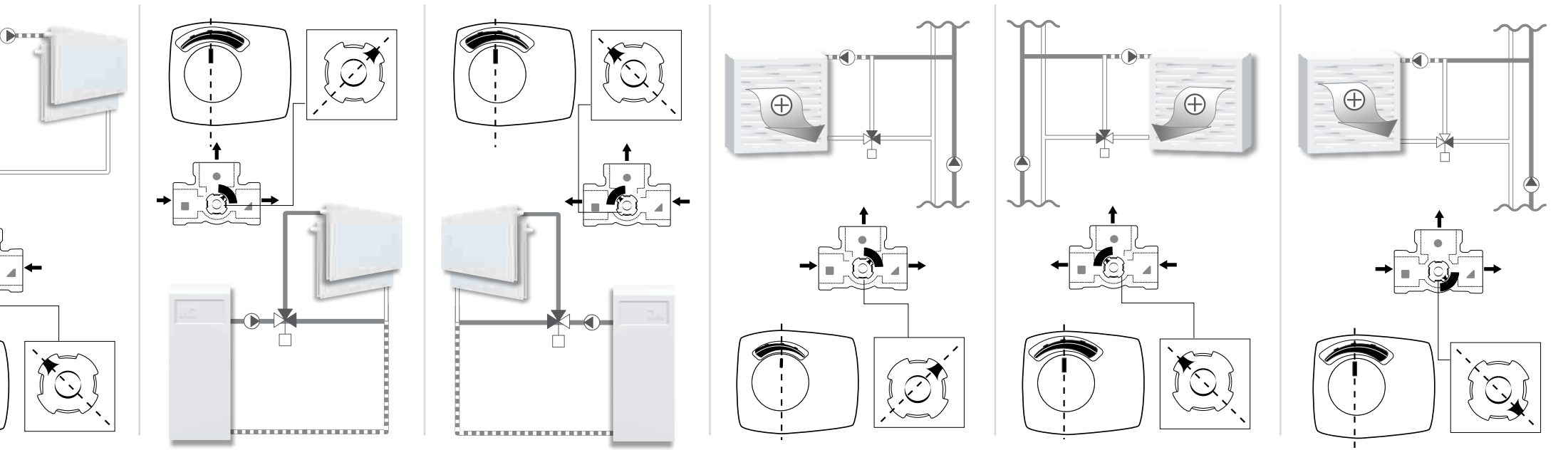


**SERIES ARA600 2-Point**

**ESBE**

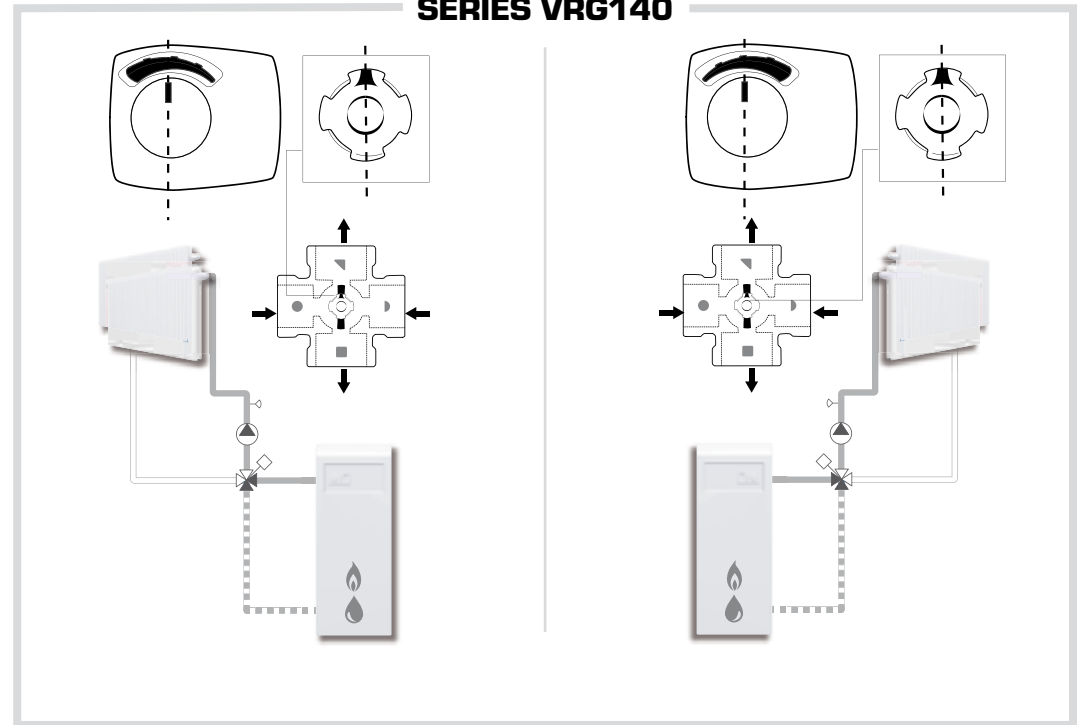
NO.1 IN HYDRONIC SYSTEM CONTROL





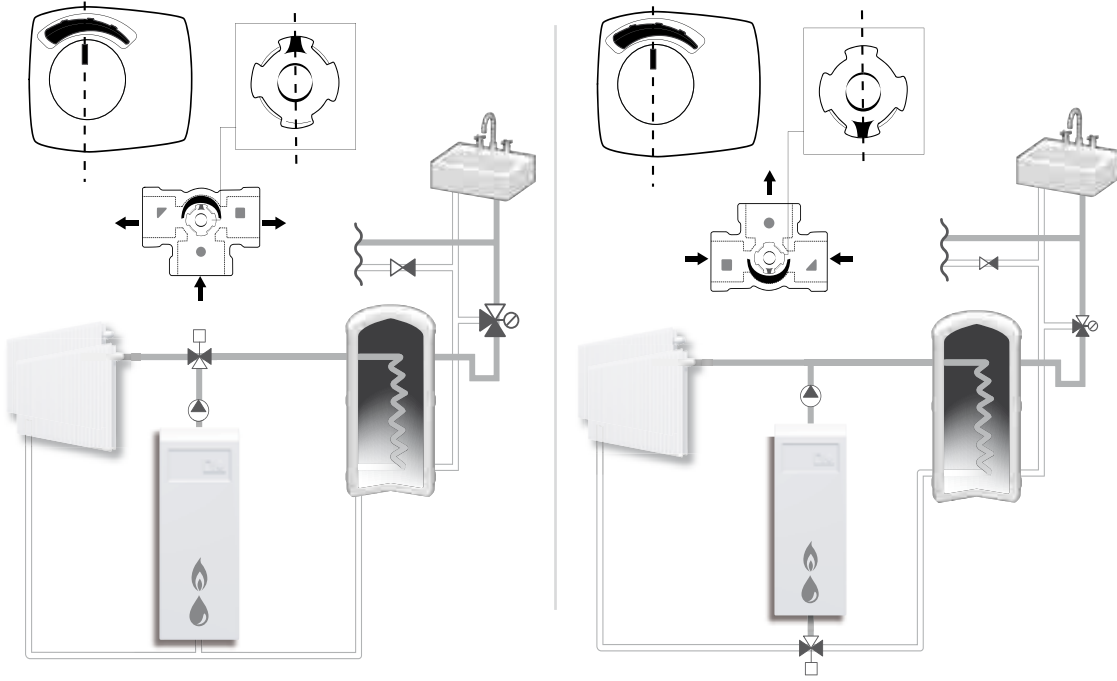
**SERIES VRG130**

**SERIES VRG140**

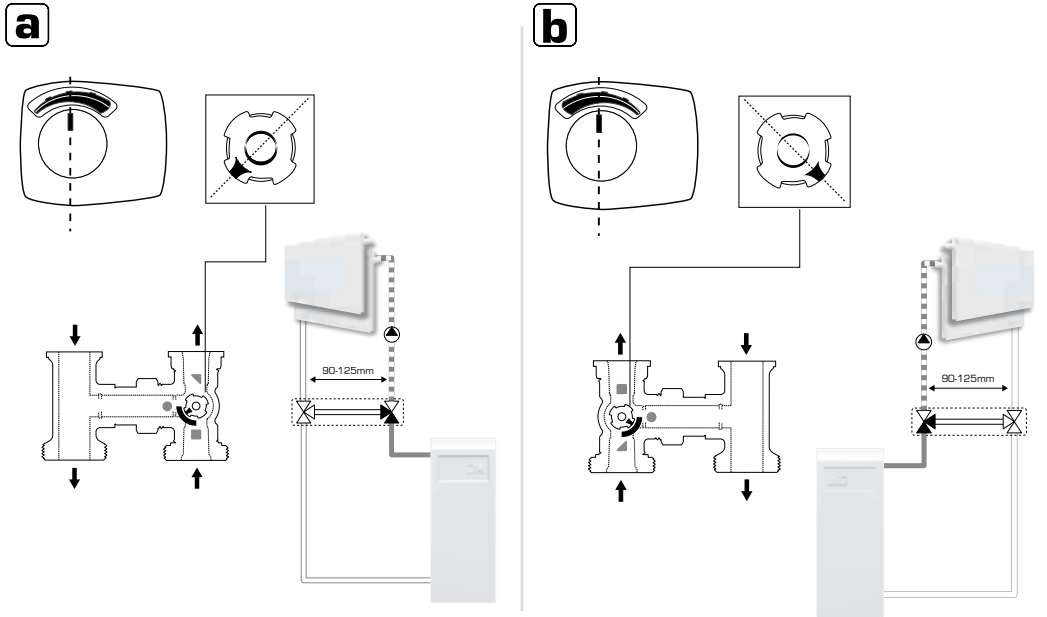


*Piping Schematics are General Representations*

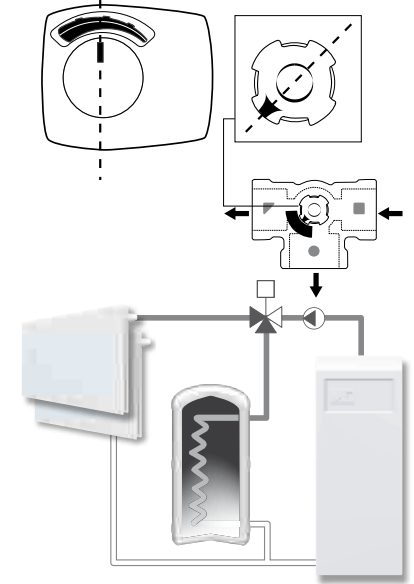
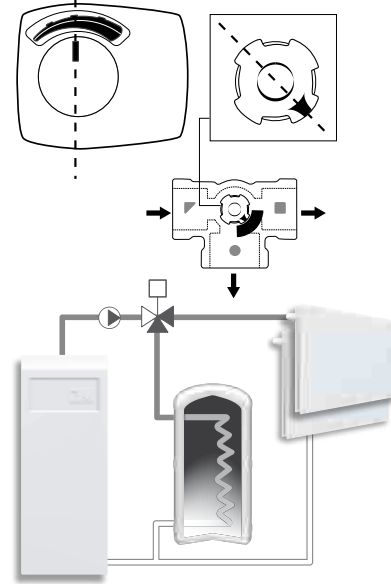
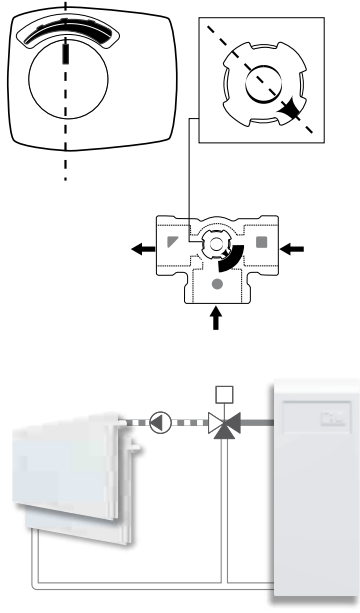
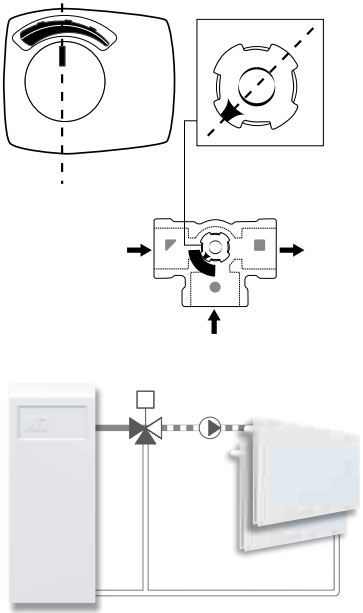
### SERIES VRG230



### SERIES VRH130

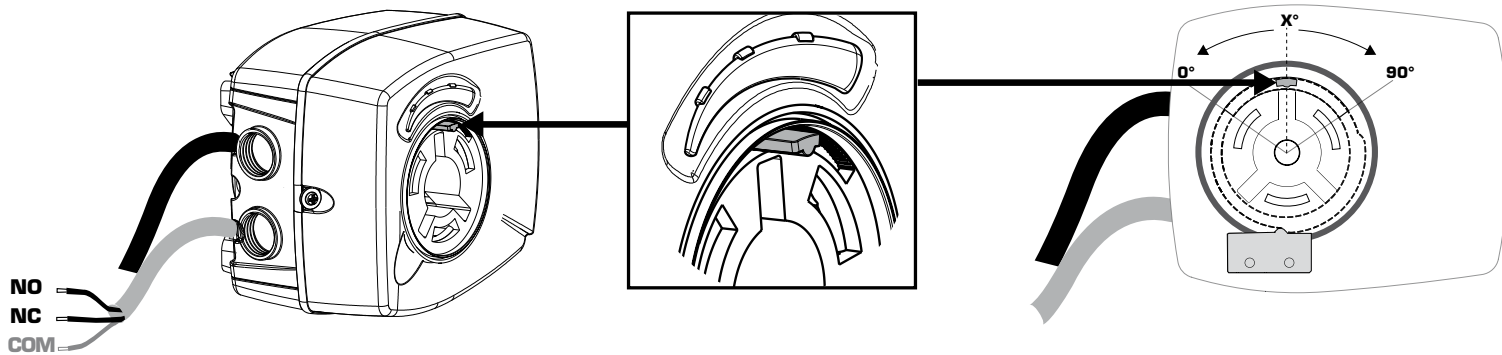


# SERIES VRG330





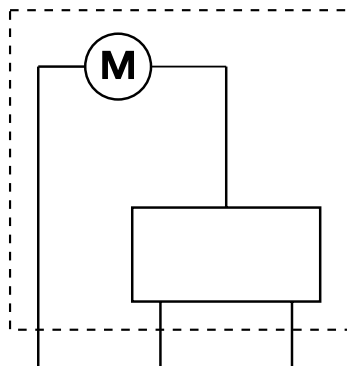
# SERIES ARA636, ARA638, ARA646, ARA648, ARA656, ARA658



	0° - (90° - x°)	(90° - x°) - 90°
NO		
NC		
	X° = 45°	



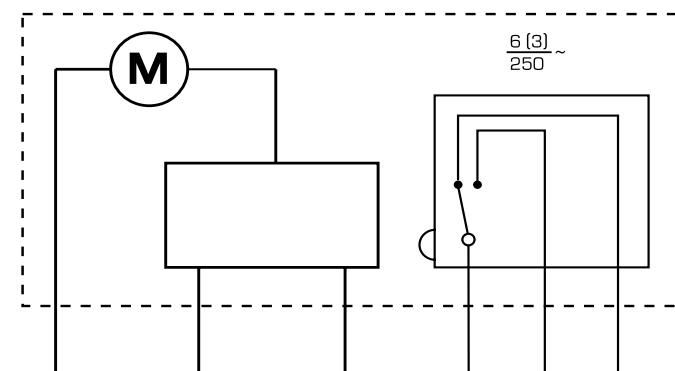
## Series ARA635, ARA637, ARA645, ARA647, ARA655, ARA657



2points	N bu	Y bk	L bn
3points	N bu	↺ CCW bk	↻ CW bn



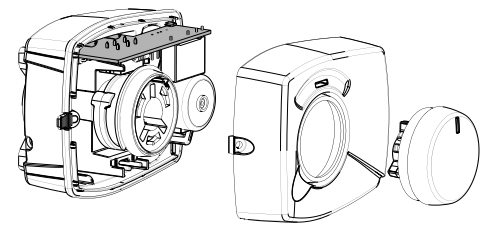
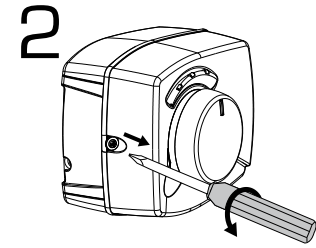
## Series ARA636, ARA638, ARA646, ARA648, ARA656, ARA658



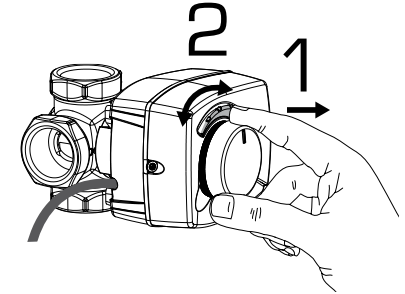
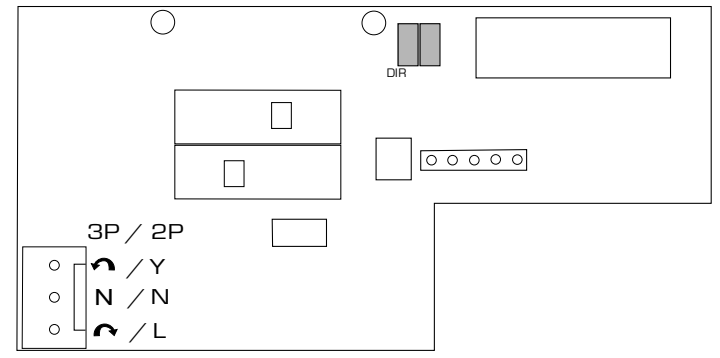
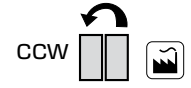
2points	N bu	Y bk	L bn	C wh	NO rd	NC og
3points	N bu	↺ CCW bk	↻ CW bn	C wh	NO rd	NC og



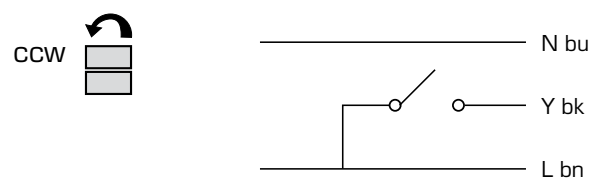
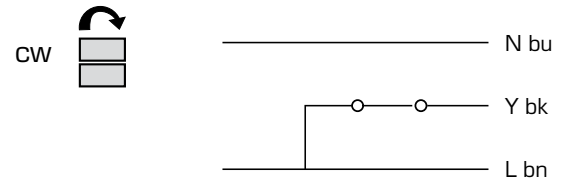
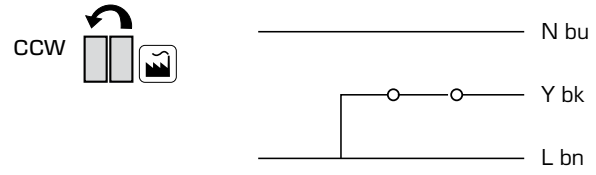
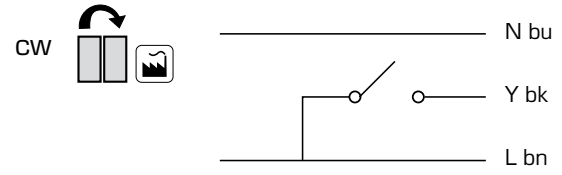
1



**DIRECTION**



**DIRECTION 2-POINT**



**DIRECTION 3-POINT**

